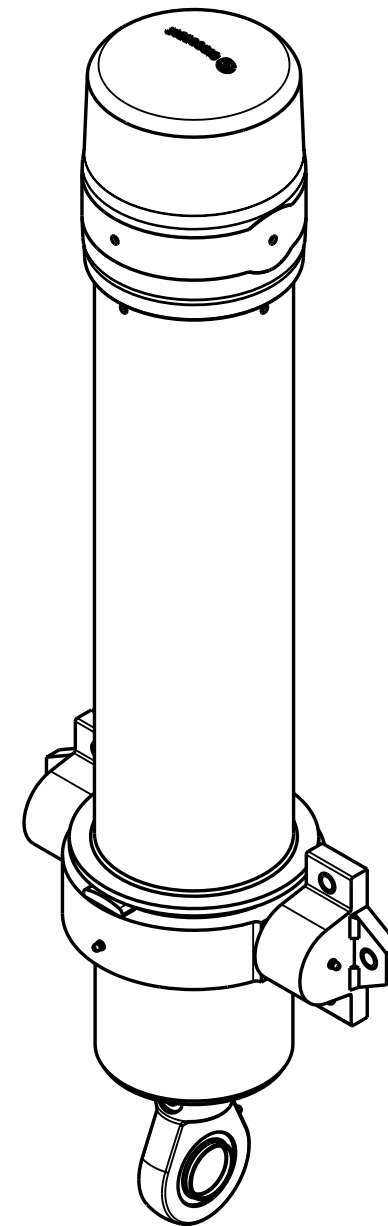
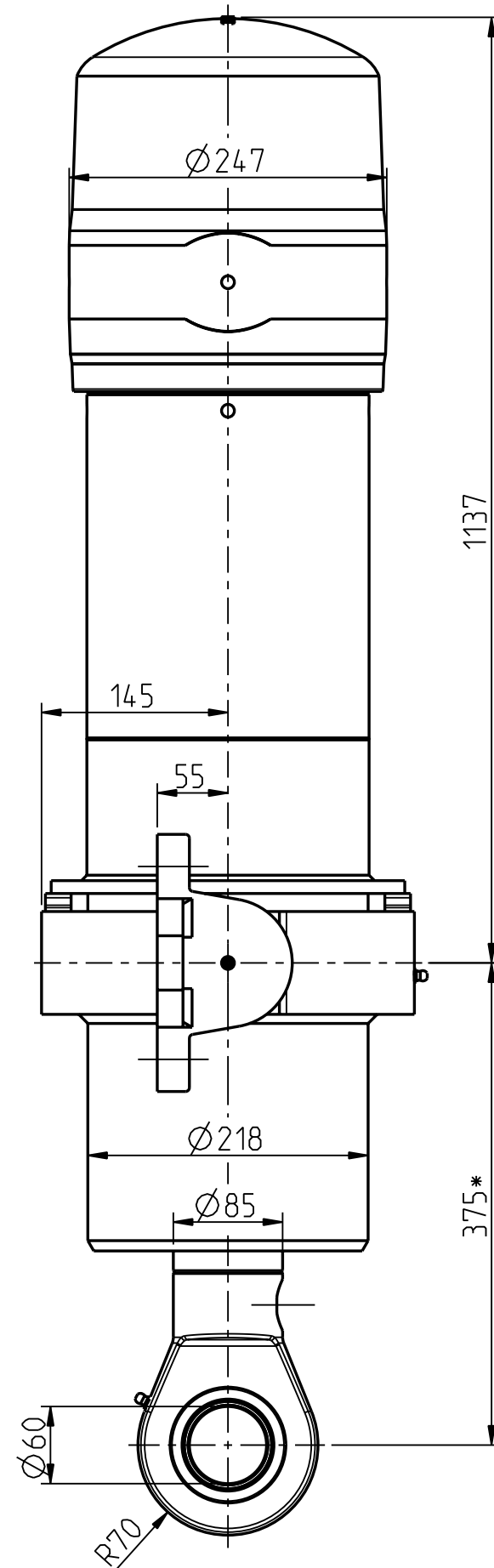


Air bleeding



SCALE 3:25

ØStage	Stroke
194	1090
172	1100
152	1110
132	1120
115	1108
100	1104
85	1109
Tot.	7741

Max pressure 170 bar.
 Max load 32 t
 Max load for cylinder 16 t
 Stroke volume 119,7 dm³.

* + Recommended mounting space min. 50 mm.

Date	Drawn	Revision		
		Piirt Drawn TDa	GENERAL TOLERANCE : ISO 2768-m	Koodi Code -
		Pvm Date 30.06.16	THREAD TOLERANCE : ISO 965-3/ISO 228-1	Paino (kg) Weight 350.230
		Koko Size A3	WELD ACCORDING TO: ISO 5817	Material STD -
Liittyy / Belongs to			Material	
ETV 112 NV375 (DA24)			-	
Nimitys			Suhde/Scale	Revision
NY 219/ 85x7741			1:5	-
Name			Piirustus no / Drawing no	
LIFTUN 219/ 85x7741			310207783	

